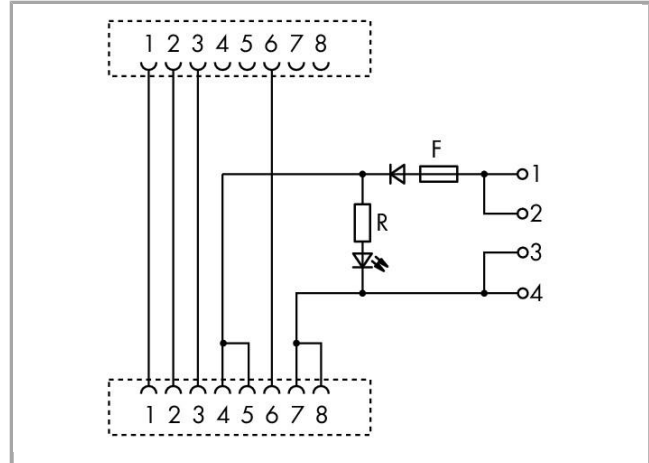
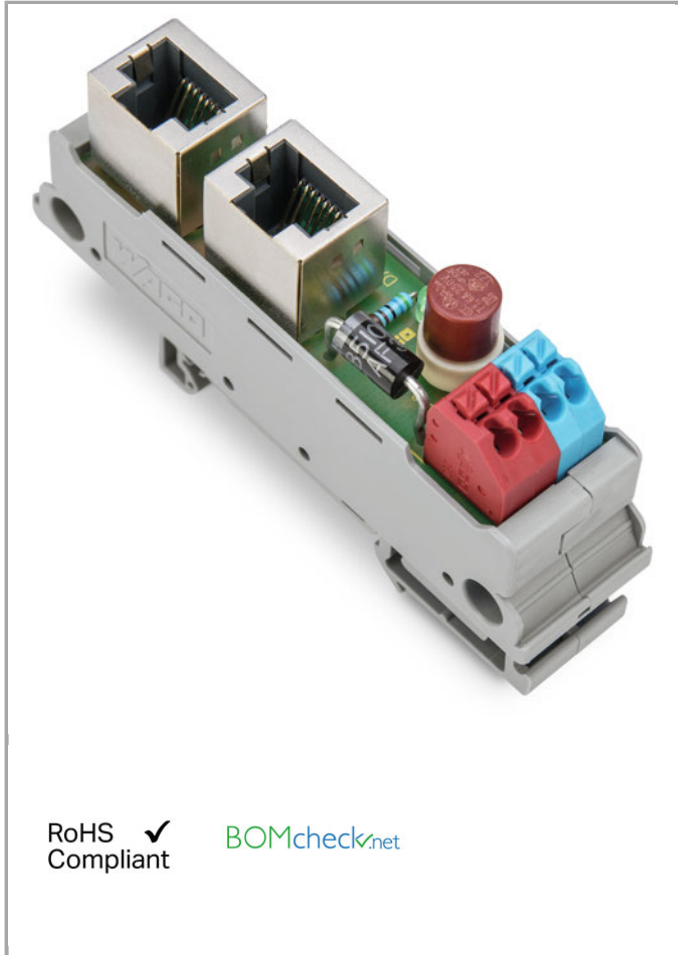


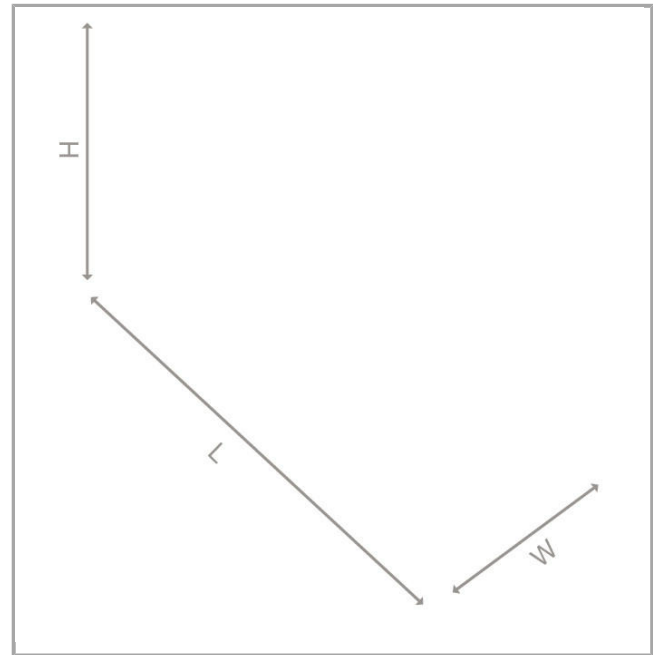
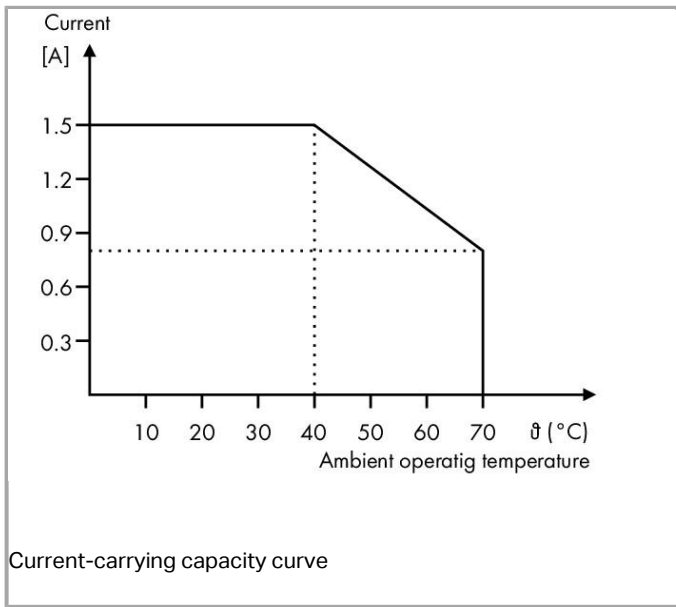
Data sheet | Item number: 289-196

Interface module; RJ-45; with power jumper contacts; PCB terminal blocks;
Cat. 5



289-196





Item description

Features:

- Interface module with RJ-45 connector for ETHERNET
- Passive PoE-injector
- For up to 100 Mbit/s, Cat. 5
- Cabinet wiring with preassembled RJ-45-patch cables

Data

Electrical Data

Operating voltage	≤ DC 48 V
Nominal current	1.5 A
Insulation resistance	≥ 500 MΩ
Specialty functions	Passive PoE-injector With LED, fuse

Safety and protection:

Dielectric strength contact-contact (AC, 1 min)	1 kVrms
-------------------------------------------------	---------

Connection data

Connection type (1)	System
No. of poles	8
Pluggable connector	RJ-45 shielded
Connection type (2)	System



No. of poles 2	8
Pluggable connector 2	RJ-45 shielded
Connection type (3)	Supply
No. of poles 3	4
Connection technology 3	Push-in CAGE CLAMP®
WAGO terminal 3	WAGO 250 Series
Solid conductor (3)	0.2 1.5 mm ² / 24 16 AWG
Fine-stranded conductor (3)	0.2 1.5 mm ² / 24 16 AWG
Strip length (3)	8.5 9.5 mm / 0.33 0.37 inch
Mating cycles	500
Max. transmission length	100 m
Connecting cable	min. Cat. 5

Geometrical Data

Width	20.5 mm / 0.807 inch
Height from upper-edge of DIN-35 rail	51 mm / 2.007 inch
Depth	85 mm / 3.346 inch

Mechanical data

Type of mounting	DIN-35 rail
Housing design	Mounting carrier

Material Data

Weight	31.084 g
--------	----------

Environmental Requirements

Surrounding air (operating) temperature	0 70 °C
Surrounding air (storage) temperature	-40 85 °C
Relative humidity	≤ 85% (non condensing)

Commercial data

Country of origin	DE
GTIN	4055143572637
Customs Tariff No.	85423990000

Downloads

Documentation

Additional Information

Disposal; Electrical and electronic equipment, Packaging



V 1.0.0

pdf
265.8 kB

[Download](#)

Subject to changes.
